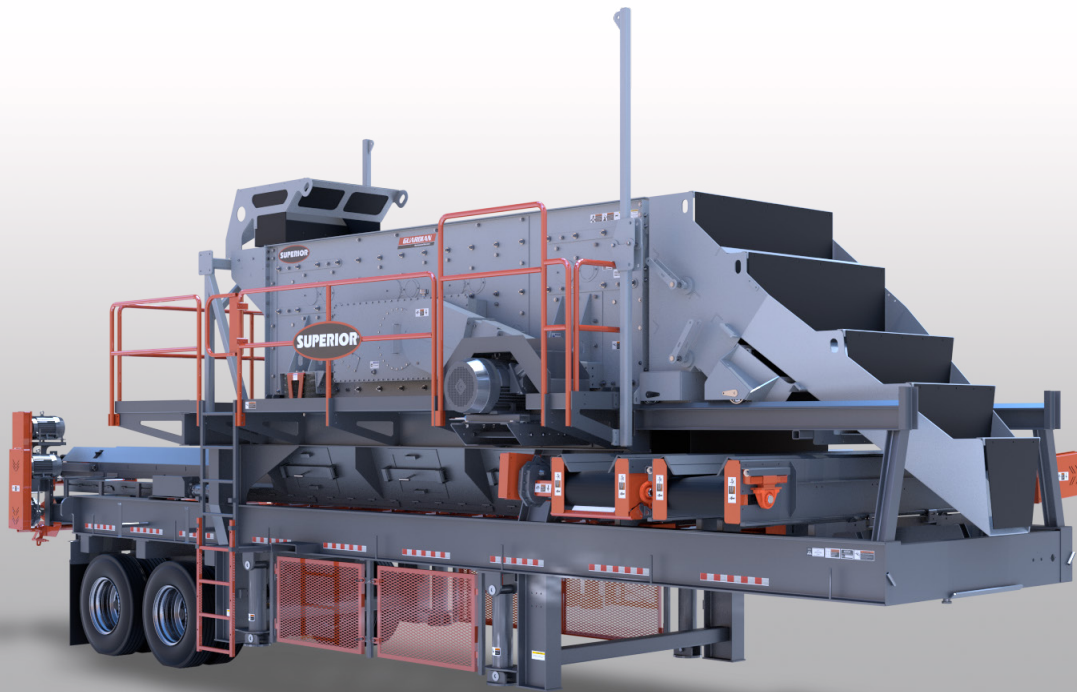




GUARDIAN™ SCREEN PLANT

STANDARD MODEL



STANDARD FEATURES

CARRIER CHASSIS

- » Superior paint scheme
- » Tandem axle
- » Air brake system
- » Mud flaps
- » Travel lights w/ brake and directional signals
- » Fifth wheel hitch
- » Hydraulic leveling legs
- » Fixed structural cribbing legs
- » Tool box
- » King pin supports
- » Diamond plate walkway w/ drainage holes
- » Access ladders
- » Safety guarding
- » Overhead safety tie-off
- » Cribbing storage

CENTERING HOPPER

- » Heavy duty wear liner
- » Fold downs for transport

GUARDIAN SCREEN

- » 0 or 2.5 degree
- » Adjustable motor base
- » Right hand drive

CHUTES AND HOPPERS

- » 3/8" AR fines hopper
- » Roll-away discharge chute
- » Blending gates on each deck
- » Blending bottom to middle deck

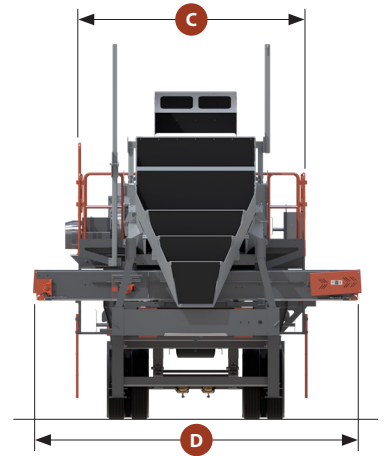
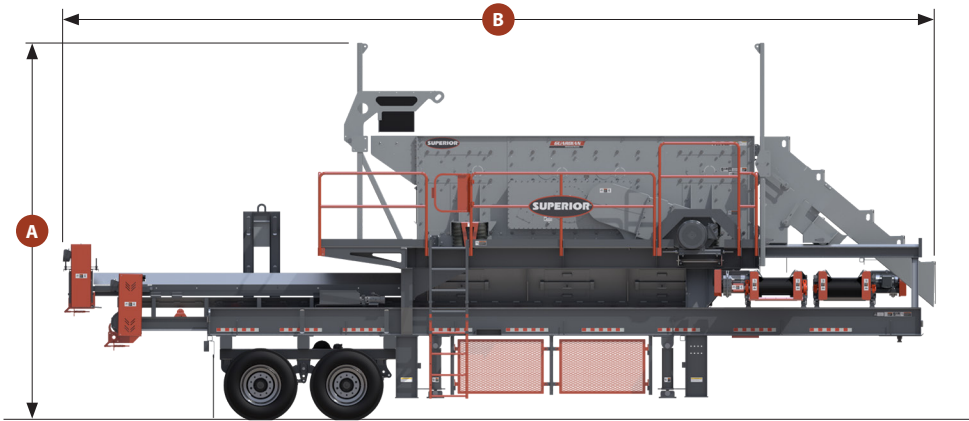
CONVEYORS

- » 2 - 24" reversing and roll-out cross-conveyors
- » 60" horizontal fines conveyor
- » Class 2 drives
- » Chevron® Wing pulley on fines conveyor
- » Exterra® Primary Belt Cleaner on fines conveyor
- » CEMA idlers with Spinguard® seal system

OPTIONS

- ★ Level Assist (patent pending)
- ★ Tilt up motor base (6x16, 6x20 models)
- » Left hand drive
- » 0 or 2.5 degree
- » Reject conveyor
- » Run on jacks with counterbalance valves
- » Run on jacks with mechanical pin locks
- » Control panel
- » Inclined fines conveyor
- » Hydraulic or manual folding walkways (7x20, 8x20 models)

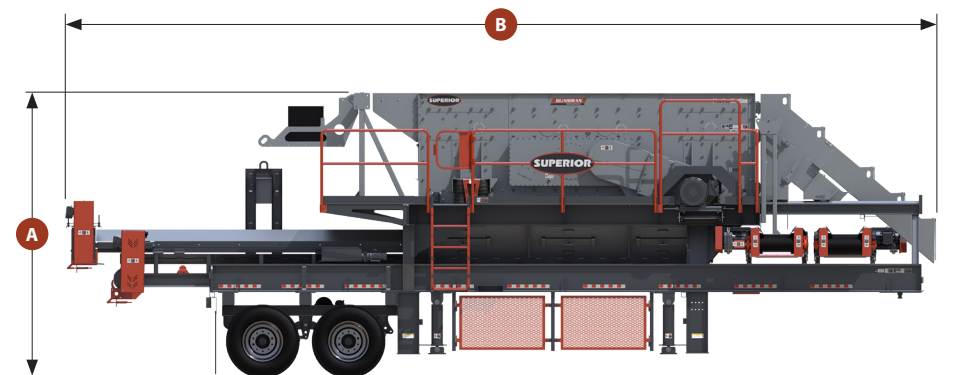
OPERATING DIMENSIONS



OPERATION MODE DIMENSIONS - INCHES (MM)

	A - Overall Height	B - Overall Length	C - Overall Width	Cross-Conveyors	Fines Conveyors
5x16	214 (5,435)	495 (12,575)	130 (3,300)	(2) 24" x 11'	60" x 30'
6x20	181 (4,600)	472 (12,000)	149 (3,785)	(2) 24" x 11'	60" x 30'
6x24	162 (4,115)	507 (12,880)	156 (3,960)	(2) 30" x 11'	60" x 32'
7x20	192 (4,880)	469 (11,910)	162 (4,115)	(2) 30" x 11'	60" x 30'
8x20	208 (5,280)	453 (11,505)	187 (4,750)	(2) 30" x 11'	60" x 30'

TRANSPORT DIMENSIONS



TRAVEL MODE DIMENSIONS - INCHES (MM)

WEIGHTS - LBS. (KG)

	A - Overall Height	B - Overall Length	C - Overall Width	Kingpin Weight	Axle Weight
5x16	161 (4,090)	495 (12,575)	130 (3,300)	14,500 (6,580)	37,500 (17,010)
6x20	161 (4,090)	472 (12,000)	149 (3,785)	20,000 (9,070)	30,000 (13,610)
6x24	162 (4,115)	507 (12,880)	144 (3,660)	27,500 (12,470)	39,000 (17,690)
7x20	172 (4,370)	469 (11,910)	149 (3,785)	21,500 (9,750)	32,500 (14,740)
8x20	179 (4,545)	453 (11,505)	143 (3,630)	25,000 (11,340)	37,000 (16,780)